

52 Inches Exhaust Fan (Direct Drive)



MOTOR YSD 1.5 HP 10 POLE 550 RPM



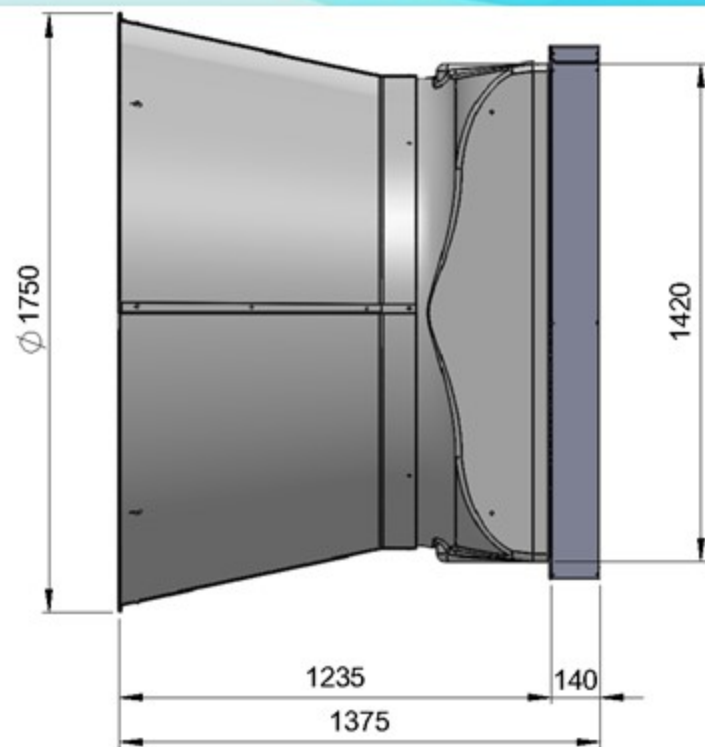
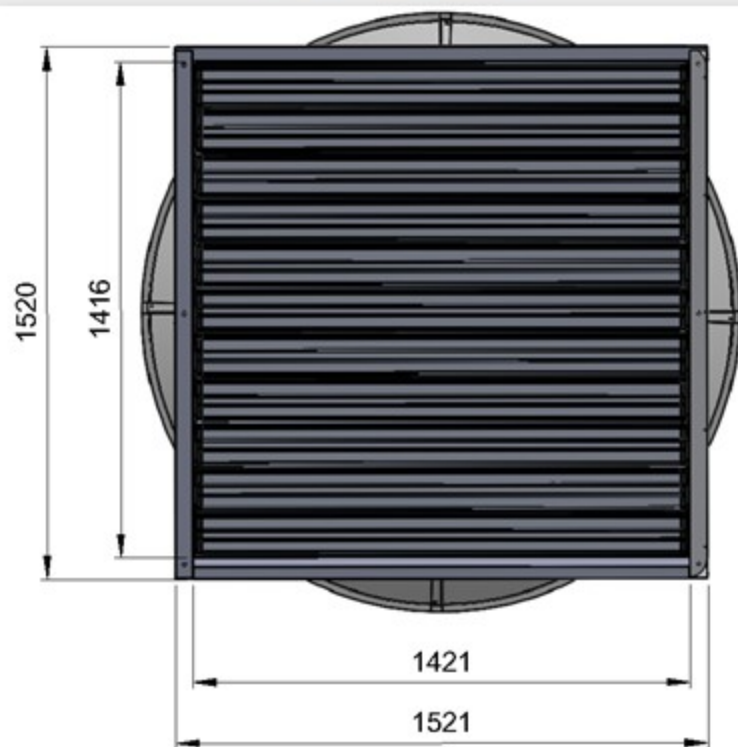
YSD YA SUH DAR					CE
TYPE: AEEF	3~	IP.54	RATING: S1	F#90L	
1.5 HP	1.1 KW	10P	INS.F		Kg
380 V	50HZ		2.0 A	550 rpm	
S/N.161021038	BRG.6206/6205	C300D-省電型			
YA SUH DAR VENTILATION CO.,LTD					

YSD

NEW MODEL SHUTTER BLADES



DIMENSION



PERFORMANCE AND EFFICIENCY DATA

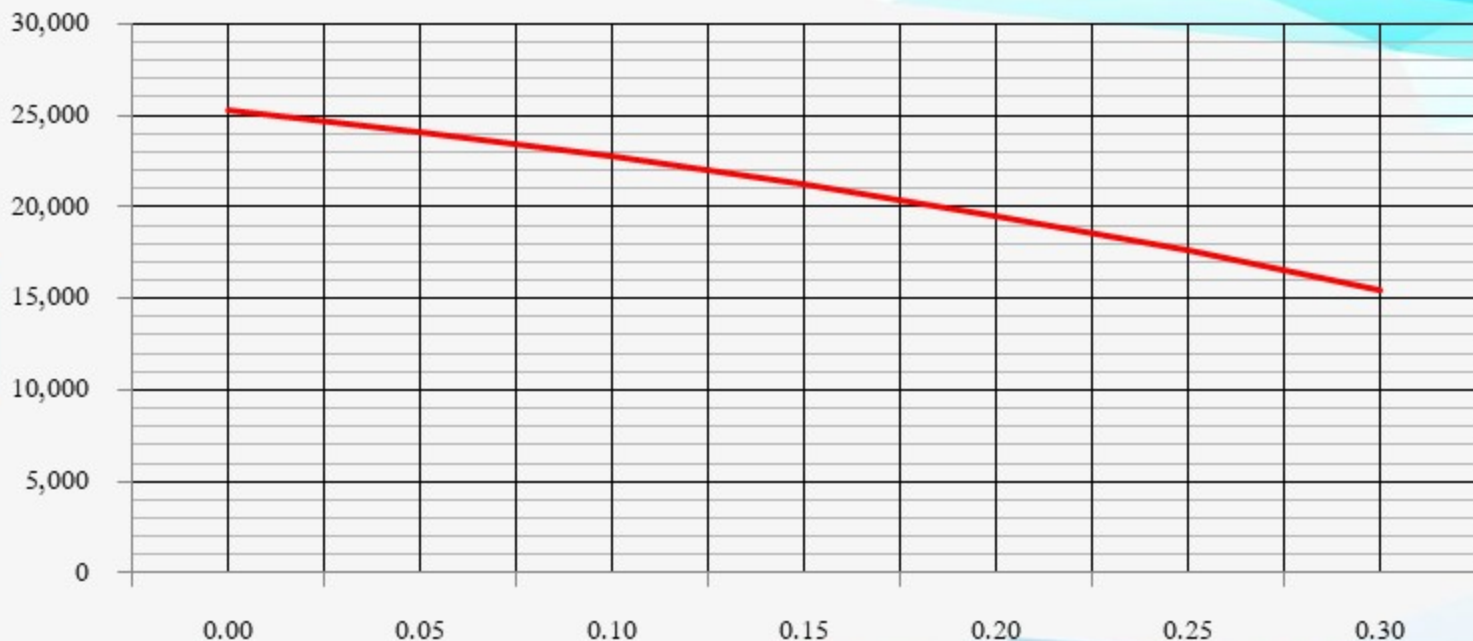


Static Pressure (inch of water)	Air Flow (cfm.)	Speed (RPM.)	Volts	Amps	Watts	cfm./Watt
0.00	25,243	560	434	1.79	1,020.90	24.73
0.05	24,117	560	433	1.81	1,033.39	23.34
0.10	22,790	559	432	1.84	1,045.89	21.79
0.15	21,264	559	431	1.87	1,058.38	20.09
0.20	19,538	558	430	1.89	1,070.88	18.25



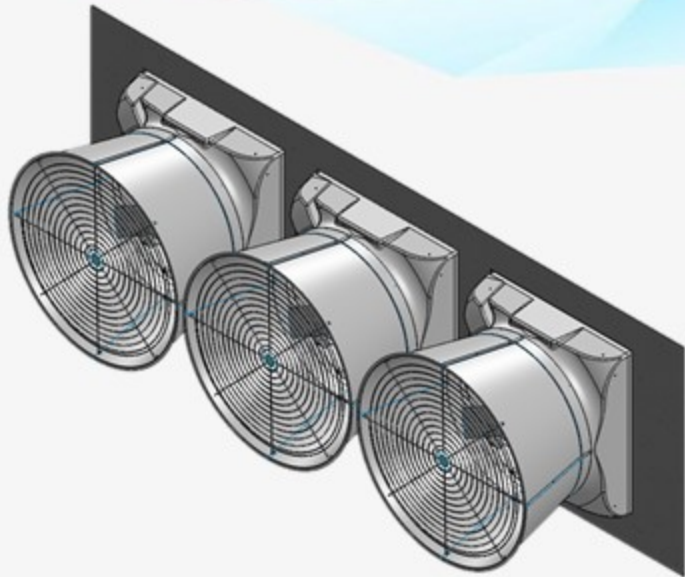
PERFORMANCE AND EFFICIENCY DATA
VENTILATION FAN 52 INCH DIRECT DRIVE
THE BLADES EXTRUDE

CFM

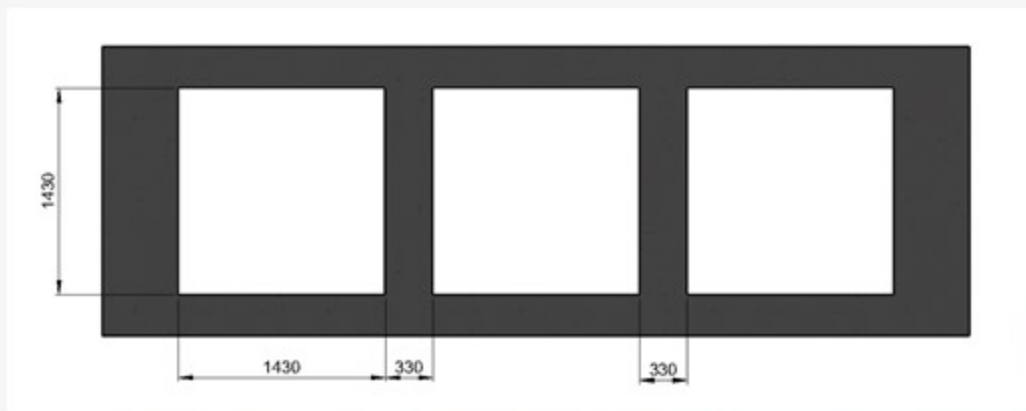


Pressure (Inch Of Water)

INSTALLING VENTILATION FAN 52 INCH



SPACING-SIZE FAN INSTALLATION



FAN PART NUMBER



201-080-0010
52(FBG)Direct Drive
the blades AL Extrude
M1.5HP 3PH 10P(YSD)
Cone / Shutter Blades



52 Inches Exhaust Fan (Direct Drive)

